



Dryer Duct Booster® Model LB2

Meets UL 705 DEDPV Requirements.
Complies with International Residential Code (IRC-2015).



**FOR
RESIDENTIAL
ELECTRIC &
GAS CLOTHES
DRYERS**

**BOOST EXHAUST
VELOCITY IN
DUCTS UP TO 150
EQUIVALENT FEET**

**SAVE ENERGY,
REDUCE DRYING
TIMES BY UP
TO 50%**

**5-YEAR WARRANTY
AND NO-CLOG
GUARANTEE**

The Problems:

- Dryer exhaust ducts longer than 25 equivalent feet increase drying times, energy use, lint build-up and the potential for duct fires.
- Typical dryer booster fans collect lint and require scheduled maintenance.

The Solution: LB2 Dryer Duct Booster®

- Reduced drying time, energy use and lint build-up.
- Advanced actuation control with improved pressure sensing reacts to both duct pressure and temperature to consistently operate in sync with the dryer.
- Increased safety by alerting user of a blocked vent or fan malfunction.
- Increased fire safety by alerting user to excessive dryer duct temps. (Booster Fan also turns off if high temps are sensed.)
- Lint Blitzer blower wheel repels lint and delivers consistent performance year after year.
- External motor is not subjected to lint, moisture and temperatures that affect in-line booster fan motors.



**Laundry room
mounted status
panel lets user
know that the
Booster Fan is
working correctly.**



Flashing Red and Green LED's...Control calibrates to exhaust duct pressure drop
Slow Flashing Green LED.....Idle state, no dryer operation sensed
Fast Flashing Green LED.....Sensor is detecting dryer turning on or off
Steady Green LED.....Dryer operation sensed, Dryer Booster Fan on
Flashing Red LED.....Blockage sensed or Booster Fan not operating
Steady Red LED.....High temps detected, Booster Fan is shut off

For best performance install the LB2 Booster Fan as directed below.

Total Duct Length Equivalent Feet*	LB2 Minimum Distance from Dryer in Equivalent Feet*	
	No Secondary Lint Trap	With Secondary Lint Trap 4' from Dryer**
30	15	8
60	30	8
90	35	15
120	40	20
150	45	25

Install no closer than 2 feet from exterior hood. Avoid installing elbows within 2 feet of booster fan.

*Equivalent feet equals linear feet plus 5 additional feet for each 90° elbow and 2.5 feet for each 45° elbow (assumes 4" diameter duct).

** Use Tjernlund Model LT4 Secondary Lint Trap

Designed to provide years of reliable performance.

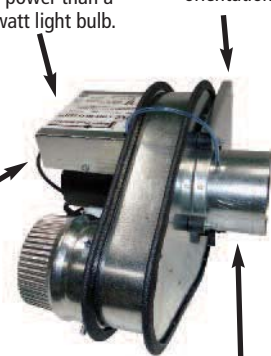
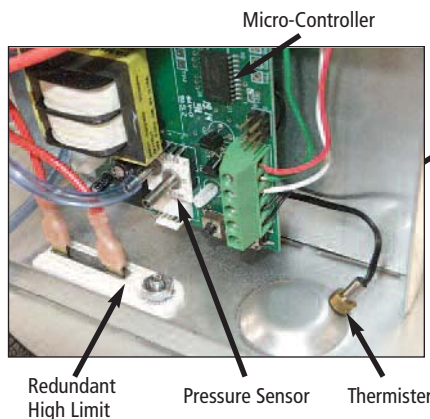
On-board multi-functional control

High resolution Pressure Sensor and Temperature Sensing Thermister output data to Micro-Controller to reliably sync Booster Fan operation with the dryer.

The micro-controller communicates with the status panel to alert user to duct restrictions or extreme exhaust temps that could lead to a duct fire. Extreme exhaust temperatures disrupt power to the booster fan.

PSC permanently lubricated ball bearing motor is not exposed to heat, lint or moisture. Uses less power than a 50 watt light bulb.

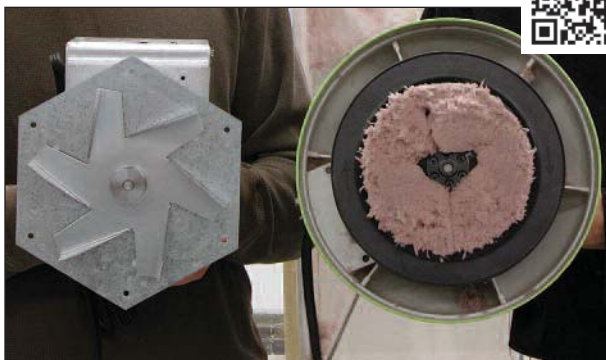
Rubber isolated mounting bracket eliminates vibration transfer. Rotates 360° to accommodate any mounting orientation.



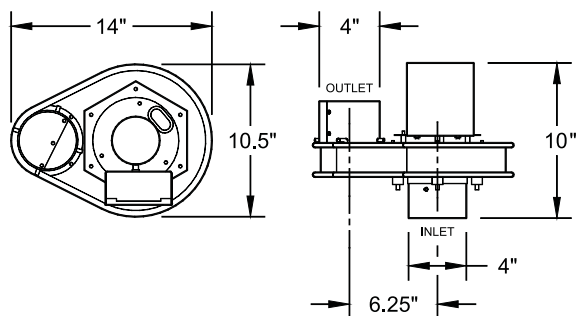
3" deep dryer duct connections for easy duct attachment.

See why the LB2 Lint Blitzer™ blower wheel has a 5-year no-clog guarantee.

Go to www.dryerboosters.com to see for yourself how our Dryer Duct Booster outperforms typical in-line fans in a lint build-up test.



Dimensions



Dryer Duct Booster® fans can be installed horizontally or vertically.

Vibration isolated mounting bracket securely holds fan while reducing noise transfer.



Horizontally Mounted



Vertically Mounted

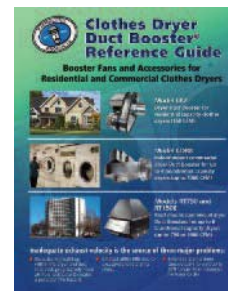
Specifications

Model	Voltage	Watts	Amps	CFM
LB2	120 VAC	50	0.5	160



Residential and Commercial Dryer Duct Booster® Reference Guide now available.

(Order P/N 8500303)



Available From:



TJERNLUND PRODUCTS, INC.

1601 Ninth Street White Bear Lake, MN 55110-6794
 Phone: 651.426.2993 800.255.4208 Fax: 651.426.9547
 Visit our web site: www.tjernlund.com