



TJERNLUND PRODUCTS, INC.

1601 Ninth Street • White Bear Lake, MN 55110-6794
 PHONE (800) 255-4208 • (651) 426-2993 • FAX (651) 426-9547
 Visit our web site • www.tjernlund.com

P-Series Plastic High Pressure In-Line Duct Booster® Fans

SPECIFICATIONS

Model	Volts	Watts	Amps	Free Air CFM
P-4	120	95	0.8	200
P-6	120	178	1.5	530
P-8	120	250	2.1	670

APPLICATION

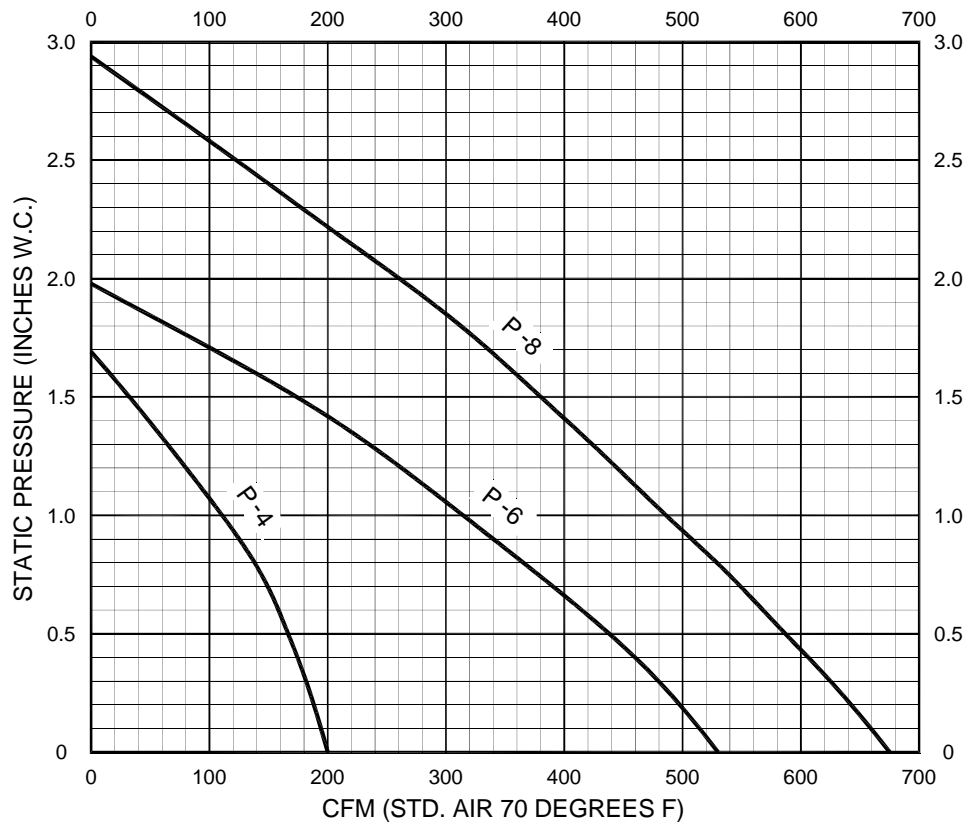
Used as a means of increasing air flow through duct work or as an exhaust fan to vent non-combustible air or fumes from enclosed spaces. The maximum air flow operating temperature for the P-Series is 140° F. (60° C.) Includes 8' power cord.

ACCESSORIES

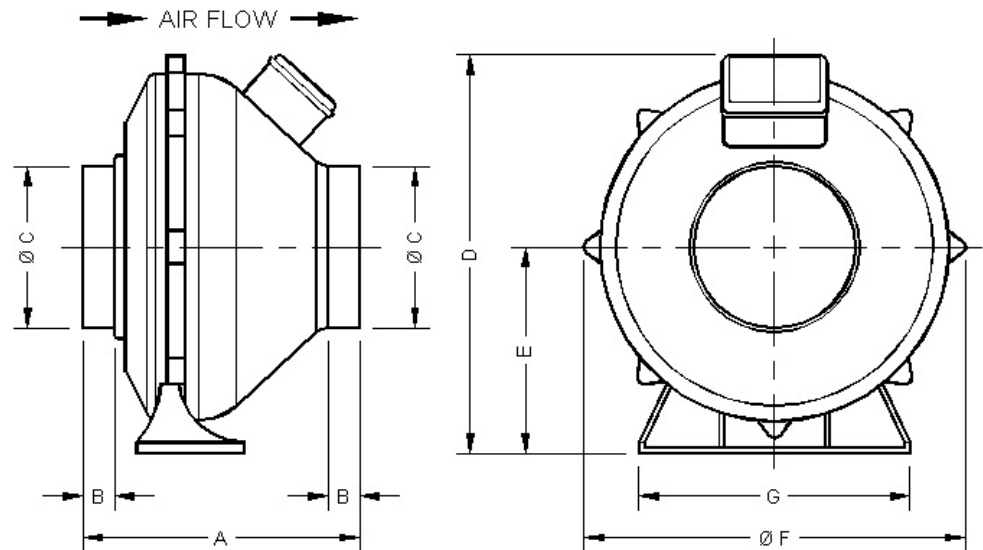
The P-Series can be activated with the optional model PS1503 Duct Airstat. The P-Series can utilize the optional model SCP speed control.

NOTE: Tjernlund Products reserves the right to make changes to specifications without notification.

FAN CURVES



DIMENSIONS



IN INCHES

	A	B	ØC	D	E	ØF	G
P-4	9.00	1.05	3.90	12.15	6.25	11.25	8.62
P-6	9.88	1.05	5.85	14.25	7.50	13.65	9.82
P-8	10.00	1.05	7.80	16.10	8.25	15.10	13.38