



# Submittal Data Sheet

## VFD-SERIES VARIABLE FREQUENCY DRIVES

Job Name: \_\_\_\_\_

Equipment Rep: \_\_\_\_\_

Contractor: \_\_\_\_\_

Prepared By: \_\_\_\_\_

Arch./Engr.: \_\_\_\_\_

Date: \_\_\_\_\_

### Description

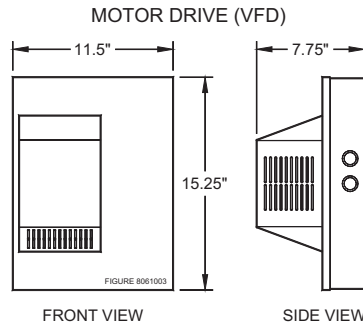
Tjernlund VFD-Series Drives from Yaskawa are pulse width modulated to generate an adjustable voltage to frequency three phase output for complete speed control of Tjernlund Auto-Draft® Series Commercial Ventilation and Draft Systems. Drives are factory mounted in a hinged cover junction box. Includes factory installed actuation relay and wire connection terminal strip.

### Construction

The housing is constructed from 18 gauge galvanized steel. NEMA class 1 construction.

### Listings

UL, ULC and CE compliant.



VFD Model	VFD Voltage Class	VFD Voltage Range	HP	Amps in 1 Phase	Amps in 3 Phase	Max Amps Out
VFD-1/2HP230MPC	200	208 - 240	1/2	7.3	3.9	1.9
VFD-1/2HP460MPC	400	420 - 460	1/2	N/A	1.2	1.2
VFD-1HP230MPC	200	208 - 240	1	13.8	7.3	6
VFD-1HP460MPC	400	420 - 460	1	N/A	2.1	2.1
VFD-2HP230MPC	200	208 - 240	2	20.2	10.8	9.6
VFD-2HP460MPC	400	420 - 460	2	N/A	4.3	4.1
VFD-3HP230MPC	200	208 - 240	3	N/A	13.9	12
VFD-3HP460MPC	400	420 - 460	3	N/A	5.9	5.4
VFD-5HP230MPC	200	208 - 240	5	N/A	24	19.6
VFD-5HP460MPC	400	420 - 460	5	N/A	9.4	8.8